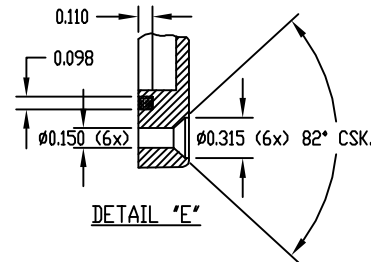
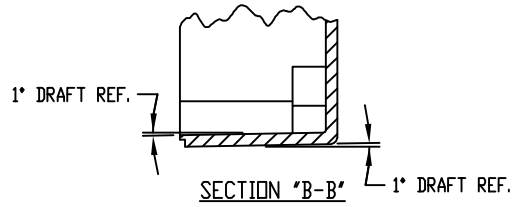
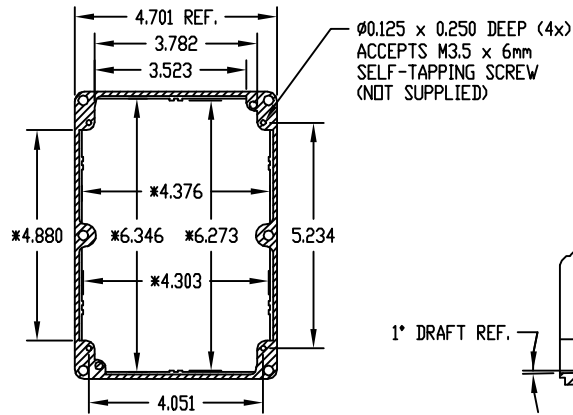


PART NAME NEMA 4X DIE CAST ALUMINUM ENCLOSURE

PART No. AN-1306, AN-1306-G, AN-2806 & AN-2806-B

REV. DATE 9-8-10

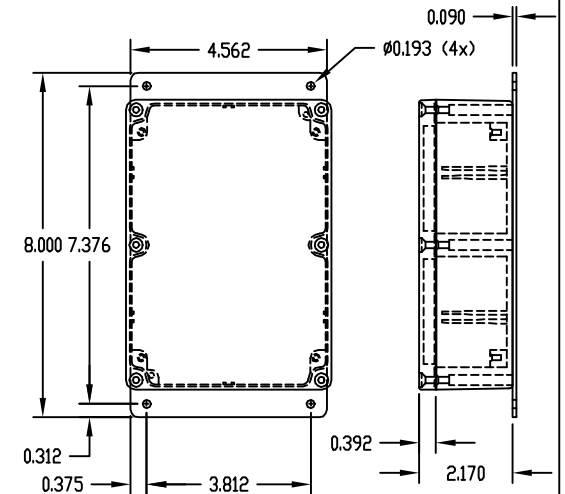
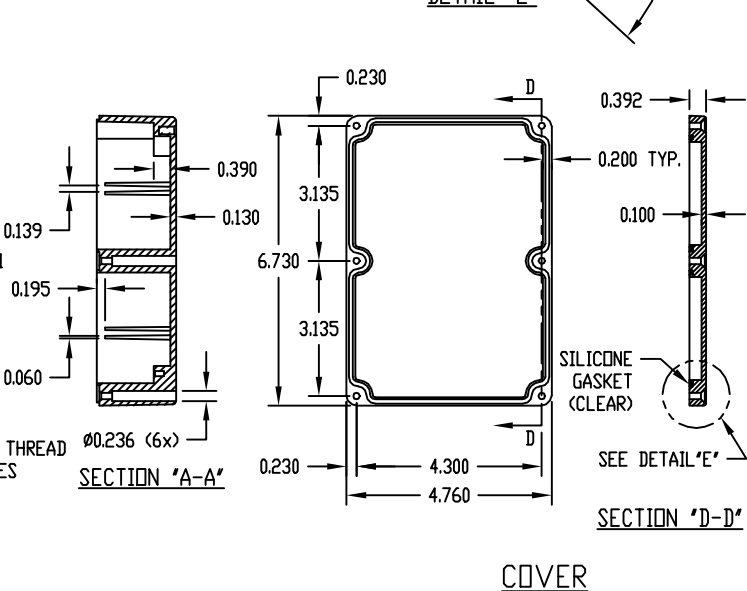
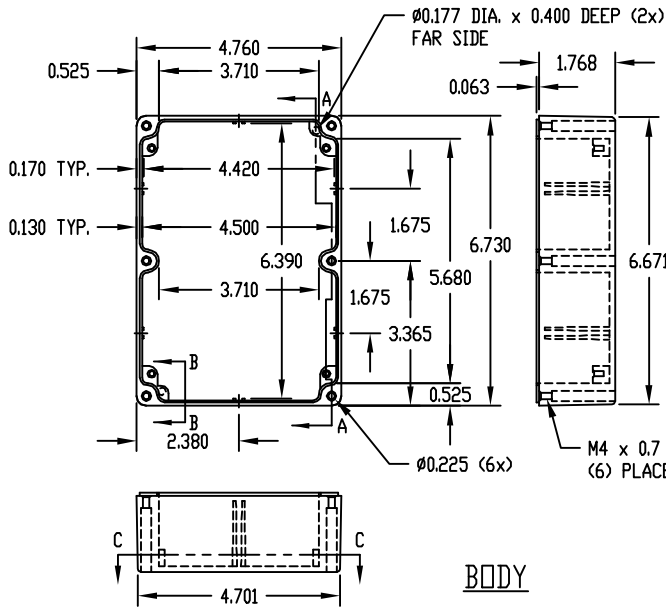


MATERIAL: ALUMINUM ALLOY #ADC-12

FINISH: NATURAL (NO SUFFIX)
 GRAY (SUFFIX -G)
 SMOOTH BLACK (SUFFIX -B)

NOTES:

- 1) SIX (6) M4 x 20mm (0.787") LG. SCREWS SUPPLIED FOR ASSEMBLY OF COVER TO BODY.
- 2) ALL HOLE DIAMETERS HAVE ±0.005 TOLERANCE. ALL OTHER DIMENSIONS HAVE ±0.015 TOLERANCE.



PART NO. AN-2806 & AN-2806-B ARE SUPPLIED WITH A WELDED ON MOUNTING BRACKET ONLY.